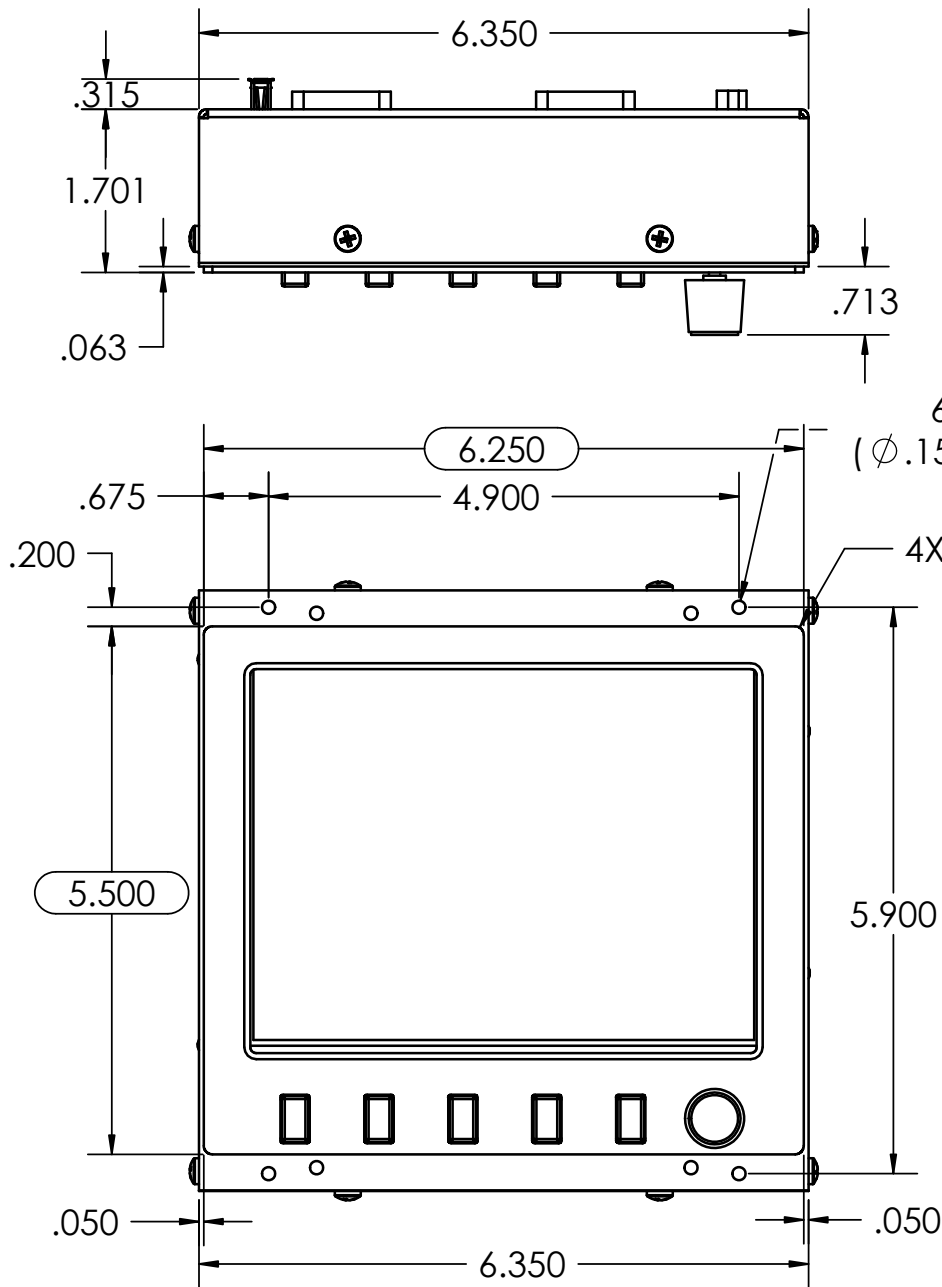
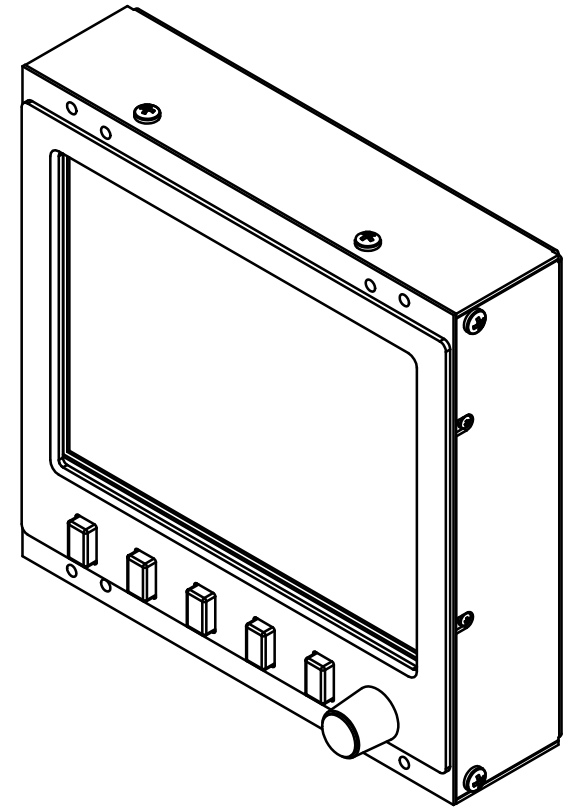
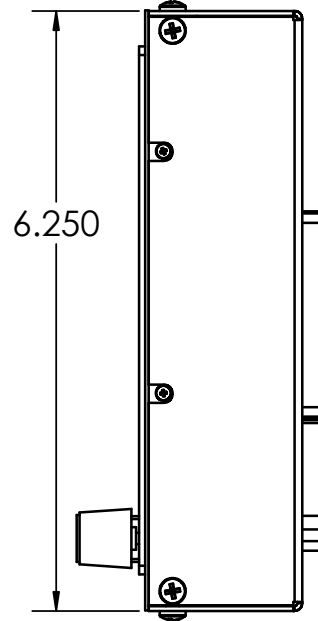


NOTES:

1.



6-32 UNC (4X)
(ϕ .150 Clearance Hole)



PROPRIETARY AND CONFIDENTIAL The information in this drawing is the property of Vertical Power Inc. Any reproduction in part or as a whole without the written permission of Vertical Power Inc. is prohibited.	DRAWN	DATE
	C. Tran	1/18/2007
TOLERANCES: .XXX = .005 .XX = .01 .X = .1	Dimensions are in Inches FRACTIONAL = +1/32 ANGULAR: MACH 1/2° BEND 1° INTERPRET GEOMETRIC TOLERANCING PER: ANSY-Y-14.5	
MATERIAL SEE PART DWG'S	TITLE: Display Unit Assembly	
FINISH SEE PART DWG'S	SIZE A	DWG. NO. DU-107
DO NOT SCALE DRAWING	QTY. USED IN ASSY: 1	REV. -

Vertical Power, Inc. 317 Commercial St NE Albuquerque, NM 87102		
SCALE: 1:4	PRINTED: 2/1/2007	SHEET 1 OF 1