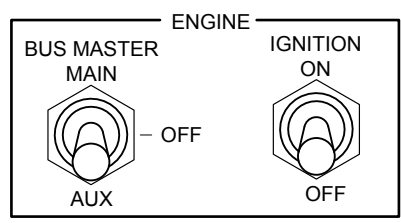
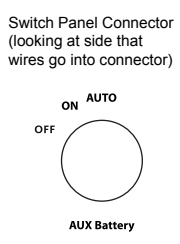
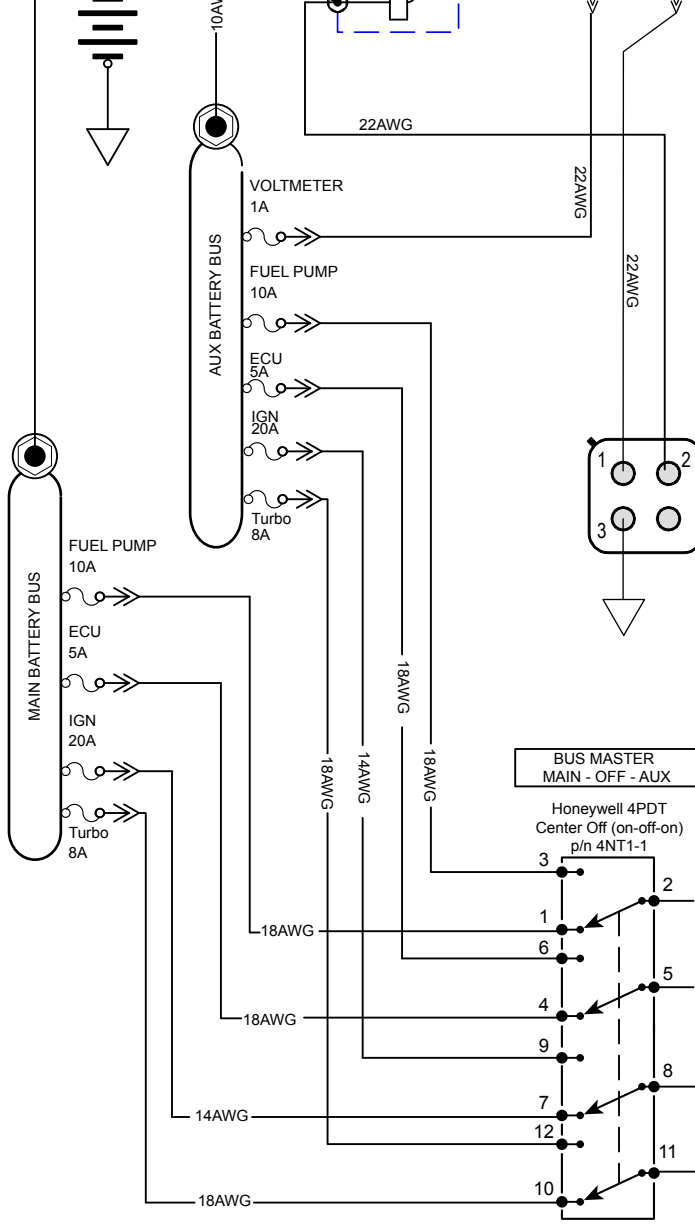


Notes:

1. Be sure to follow instructions from engine supplier.
2. Other connections to avionics etc not shown.
3. Aux Bat switch Auto position will only work once software is provided to support this features. Operate manually until then.

* ANL 60 only required if batteries mounted in back and fuse blocks mounted in front. Not needed if fuse blocks are near battery.



BUS MASTER
MAIN - OFF - AUX

Honeywell 4PDT
Center Off (on-off-on)
p/n 4NT1-1

