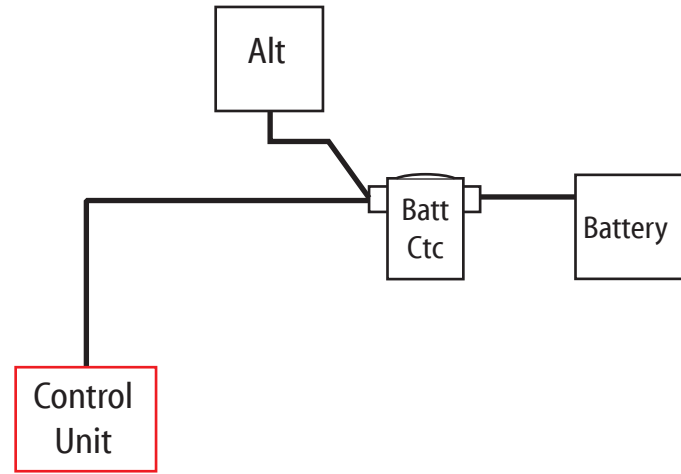
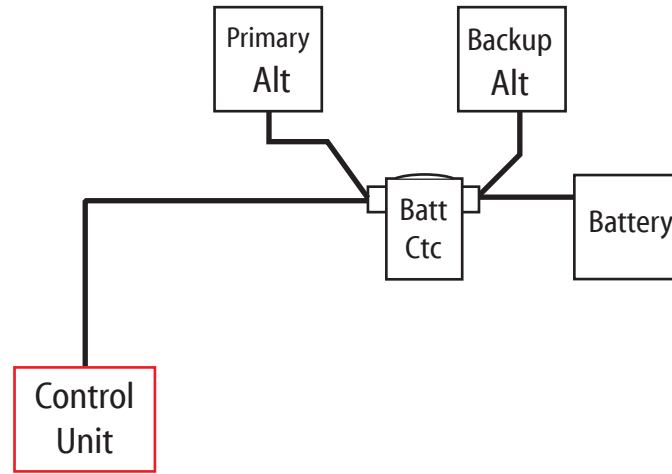


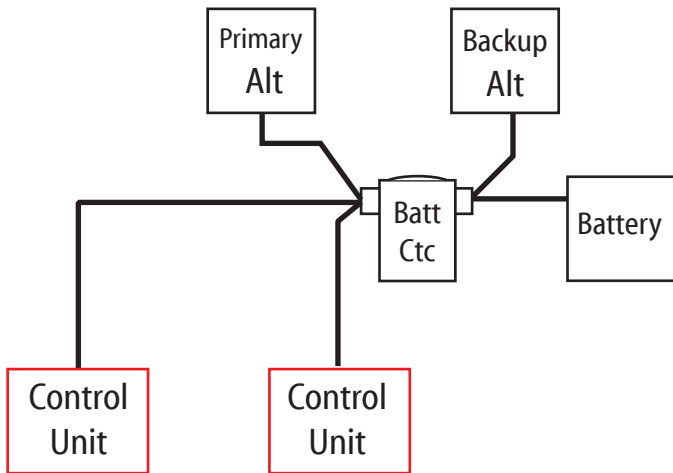
Configuration 1
Single battery, single alternator, single Control Unit



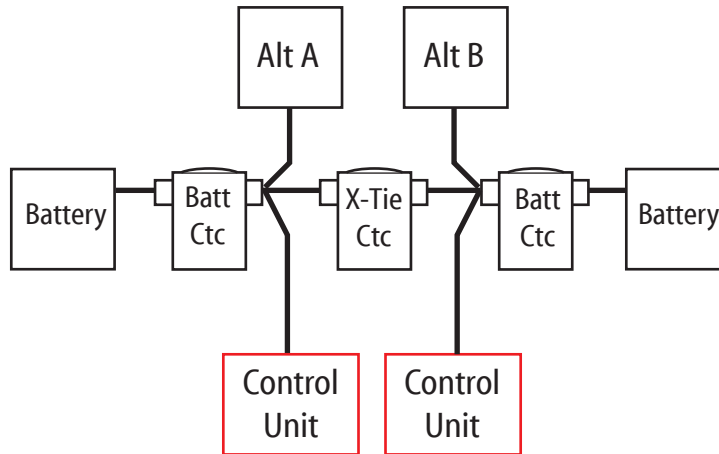
Configuration 2
Single battery, dual alternator, single Control Unit



Configuration 3
Single battery, dual alternator, dual Control Unit



Configuration 4
Dual battery, dual alternator, dual Control Unit



Configuration Overview

Rev A