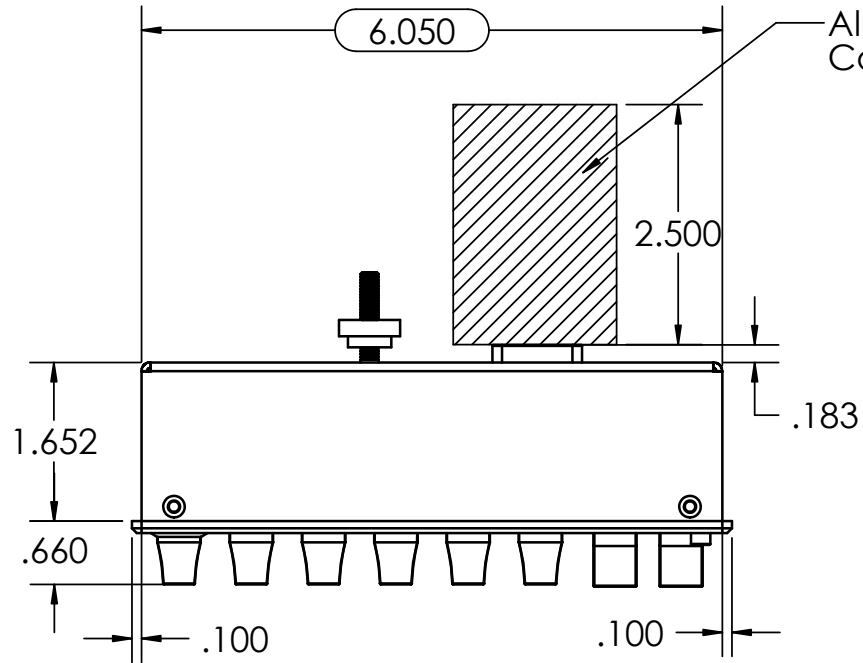
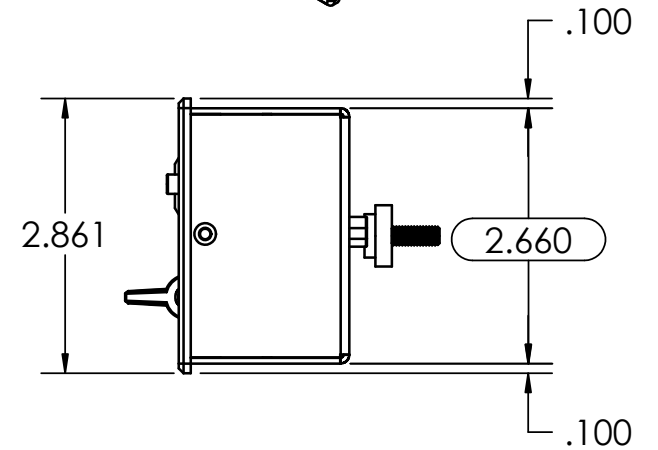
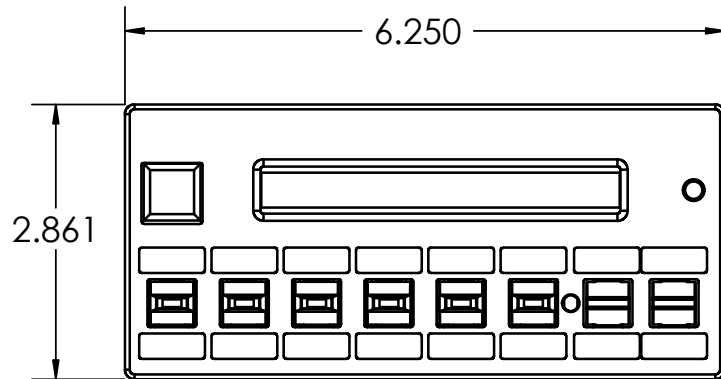
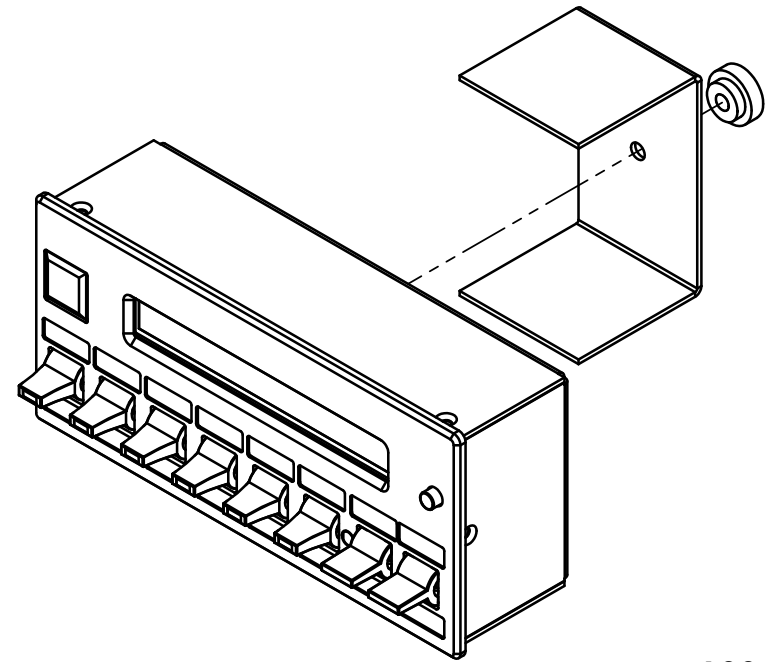


NOTES:

1.



Allow 2.5" depth for Connector



PROPRIETARY AND CONFIDENTIAL The information in this drawing is the property of Vertical Power Inc. Any reproduction in part or as a whole without the written permission of Vertical Power Inc. is prohibited.	DRAWN	DATE	Vertical Power, Inc. 317 Commercial St NE Albuquerque, NM 87102	
	C. Tran	1/18/2007		
TOLERANCES: .XXX = .005 .XX = .01 X = .1	Dimensions are in Inches FRACTIONAL = +1/32 ANGULAR: MACH 1/2° BEND 1° INTERPRET GEOMETRIC TOLERANCING PER: ANSY-Y-14.5		TITLE: VP-50/VP-100 Switch Panel	
MATERIAL SEE PART DWG'S				
FINISH SEE PART DWG'S			A	LB-100
DO NOT SCALE DRAWING	QTY. USED IN ASSY: 1	SCALE: 1:2	PRINTED: 3/26/2008	SHEET 1 OF 1