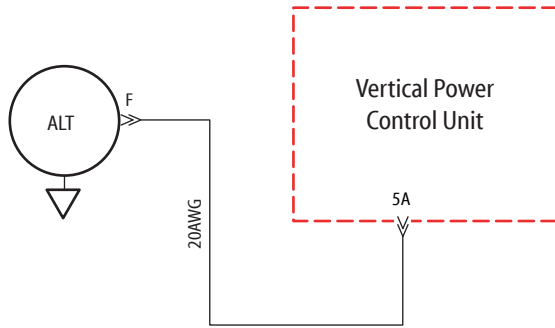


Internal Voltage Regulator Installation



Notes:

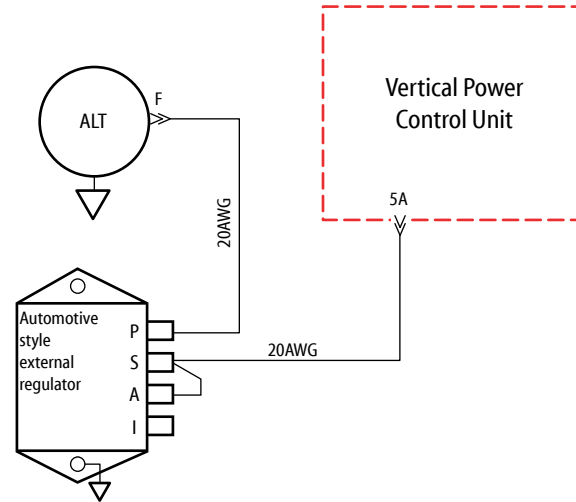
1. Connect Control Unit directly to F pin on alternator.
2. Do not connect alternator to Override pins (J5, Pins 3,4) on Control Unit.

Jabiru

Notes:

1. Connect yellow regulator wire (pin 5) to pin that is configured as Field Pri pin on Control Unit.
- 32 Connect red regulator wire (pin 6) to switched side of master switch.
3. Turning off the field wire will cause a loss of the tach signal.

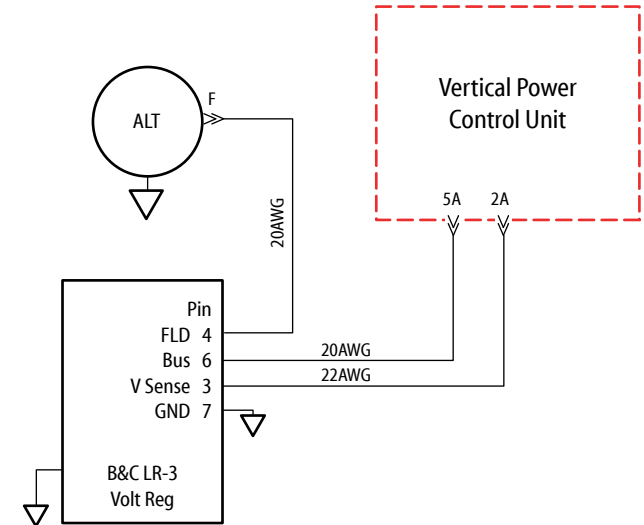
Automotive Style Voltage Regulator Installation



Notes:

1. Connect pins S and A together.
2. In the setup menu, configure the two voltage regulator pin Field A/B device name.
3. Do not connect voltage regulator to Override pins (J5, Pins 3,4) on Control Unit.
4. The pins shown are generic. Follow instructions included with your voltage regulator.

B&C LR-3C or LS-1A Voltage Regulator Installation (Do not use SB1B controller)



Notes:

1. Do not connect pins 3 and 6 together on LR-3C.
2. In the setup menu, configure the two voltage regulator pins together under Field A/B device name.
3. It is unnecessary to connect undervoltage alert wiring on LR-3C.
4. Follow instructions from B&C on proper installation and cautions.
5. Do not connect voltage regulator to Override pins (J5, Pins 3,4) on Control Unit
6. For 28v system and SD-20 alternator, use B&C LS-1A regulator.

If you are wiring a backup circuit for an alternator, be sure the alternator or voltage regulator has built-in over-voltage protection

Notes:

1. Voltage regulator configurations shown above are supported and can be mixed and matched as necessary for each configuration.
2. B&C SD-8 is supported and details are shown in the configuration diagrams.
3. All grounds return to firewall grounding block
2. Control Unit provides short-circuit & over-voltage protection, and under-voltage alerting
3. Aircraft builder is responsible for determining final configuration and wiring sizes
4. Most wiring to/from Control Unit is included in the wiring harness kit.

Rev B: added LS-1A notes
Rev C: Added Jabiru & SB1B
Rev D: Added note re: OV prot.

Voltage Regulator Wiring Diagram
Rev D

 **Vertical Power**